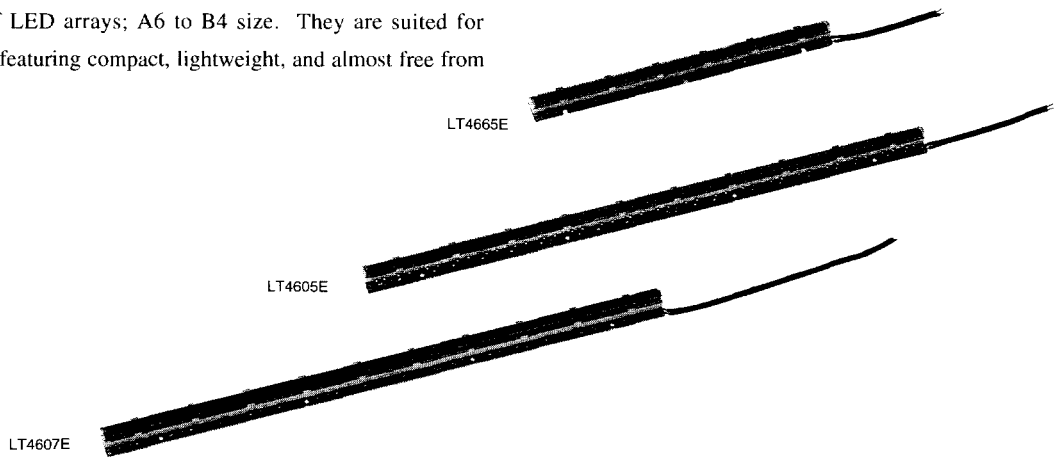


LED Array for Light Source

General Description

Sharp can supply 6 models of LED arrays; A6 to B4 size. They are suited for facsimiles and handy scanners, featuring compact, lightweight, and almost free from maintenance.



LED Array for Light Source

Size	Effective illuminance length (mm)	Type	Model No.	No. of chips	Length (mm)	Width (mm)	Lens diameter (mm)	Outline dimensions	
								Page	Figure
A6	105	Contact type	LT4665E	44	125.0	9.6	ø4.5	207	1
A5	154		LT4655E	56	165.0	10.5	ø4.5		2
A4	216		LT4605E	80	235.0	10.5	ø4.5		3
	216	Contact type	LT4607E	80	235.0	11.25	ø6.0		4
B4	258	Contact type	LT4615E	92	274.0	10.5	ø4.5	208	6
		Contact type	LT4617E	92	274.0	11.25	ø6.0		7

Absolute Maximum Ratings

(Ta=25°C)

Size	Radiation color	Model No.	Power dissipation P (W)	Forward voltage V _{LED} (V)	Reverse current V _R (V)	Operating temperature T _{opr.} (°C)	Storage temperature T _{stg.} (°C)
	Yellow-green						
A6	●	LT4665E	3.5	12.5	16	0 to +60	-25 to +75
A5	●	LT4655E	5.9	12.5	16	0 to +60	-25 to +75
A4	●	LT4605E	6.5	12.5	16	0 to +60	-25 to +75
	●	LT4607E	6.5	12.5	16	0 to +60	-25 to +75
B4	●	LT4615E	8.1	12.5	16	0 to +60	-25 to +75
	●	LT4617E	8.2	12.5	16	0 to +60	-40 to +75

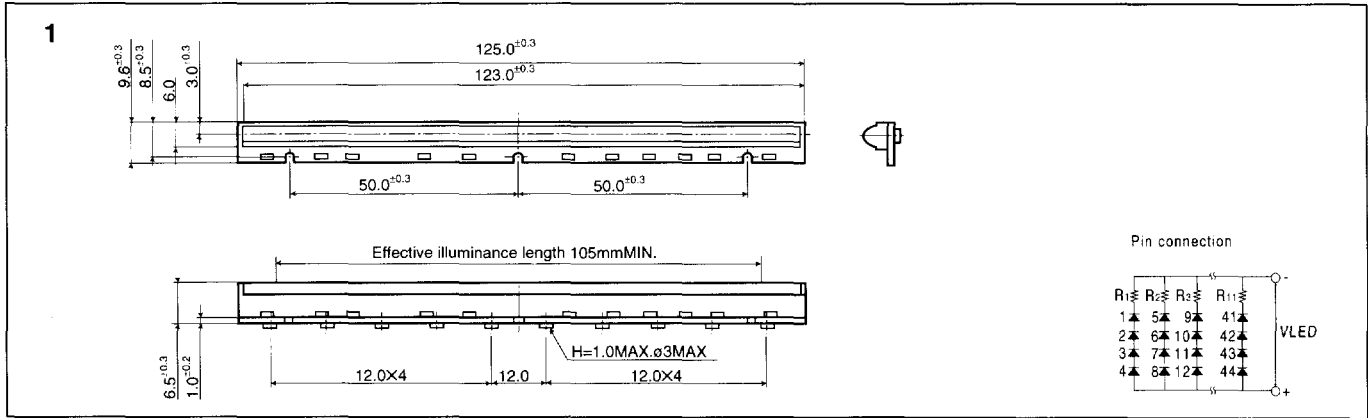
Electro-optical Characteristics

(Ta=25°C)

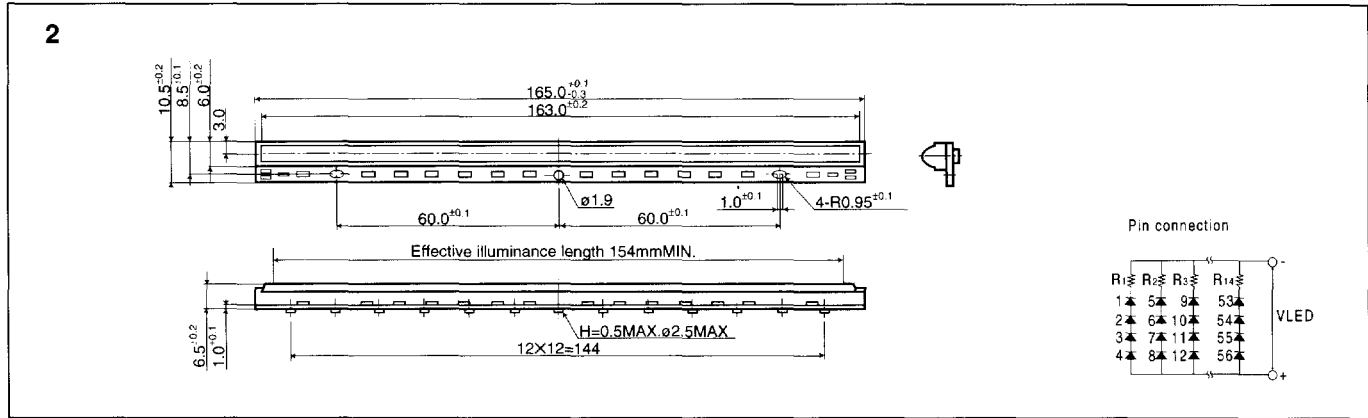
Size	Radiation color	Model No.	Forward current I _{LED} TYP. (mA)	Effective illuminance length L MIN. (mm)	Illuminance power deviation*1 ΔEH MAX. (%)	Effective illuminance width ΔL TYP. (mm)	Peak emission wavelength λ _p TYP. (nm)	Spectrum radiation bandwidth Δλ TYP. (nm)	Illuminance EL MIN. (lx)
	Yellow-green								
A6	●	LT4665E	253	105	15	1.2	565	30	1500
A5	●	LT4655E	322	154	15	1.2	565	30	1500
A4	●	LT4605E	460	216	15	1.2	565	30	1500
	●	LT4607E	460	216	20	3.0	565	30	980
B4	●	LT4615E	529	256	15	1.2	565	30	1500
	●	LT4617E	552	256	15	3.0	565	30	980

*1 Measured by Sharp standard measuring method

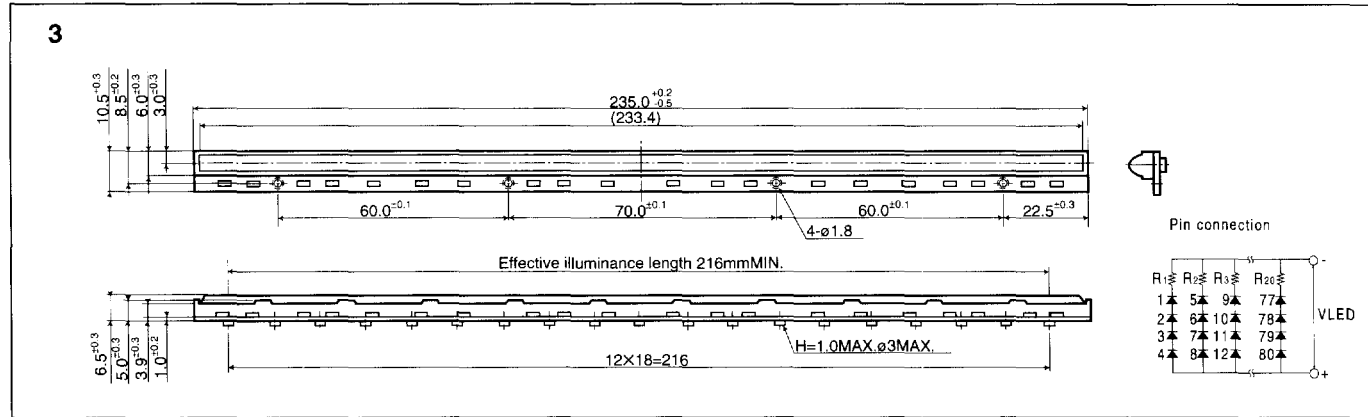
LED Array Outline Dimensions(Unit:mm)



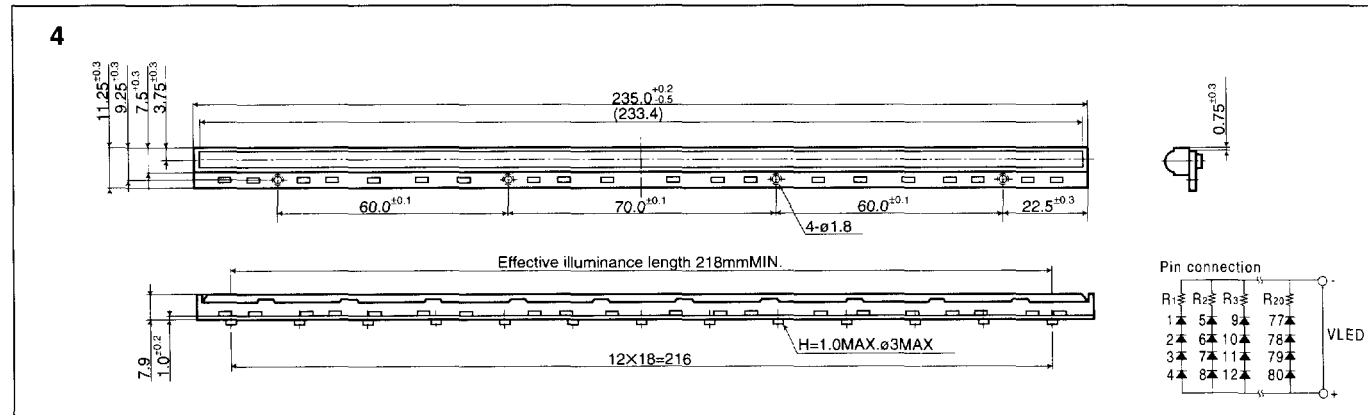
LT4665E



LT4655E

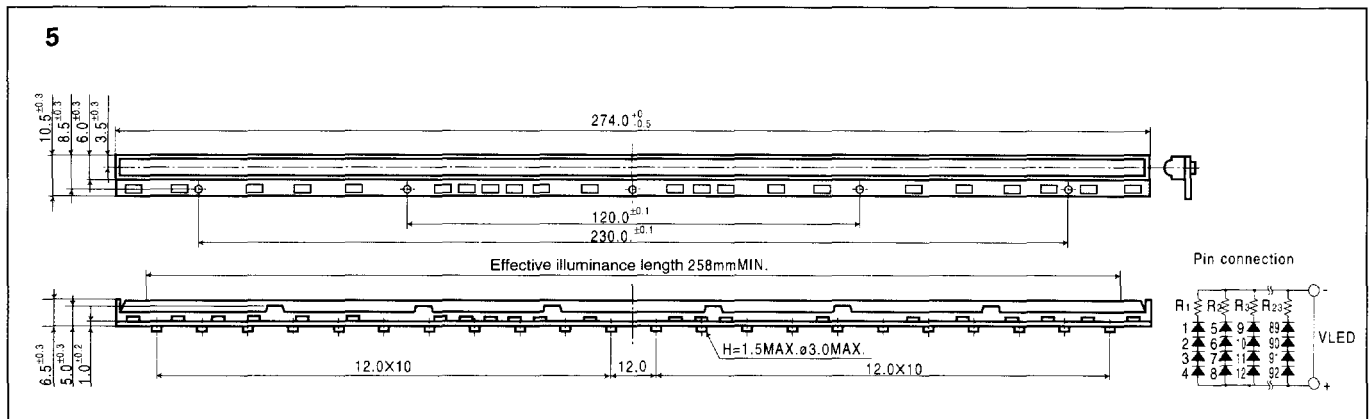


LT4605E

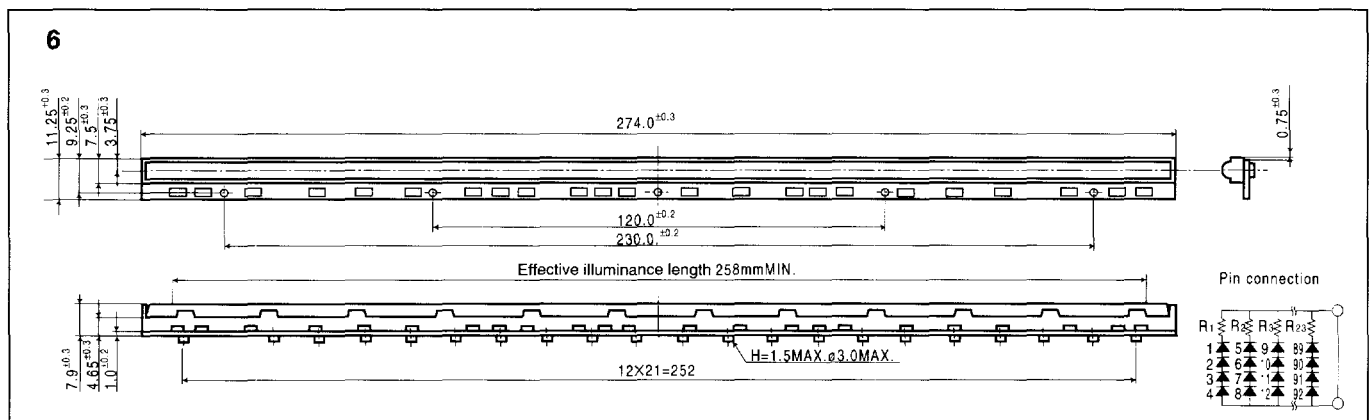


LT4607E

LED Array Outline Dimensions(Unit:mm)



LT4615E



LT4617E

Measuring Method

